

- FEATURES:**
- Half pitch 1.27mm(.050") series
 - Centronic type female connector for P.C.B straight dip solder type
 - Panel mount receptacle assemblies bracket with latch block
 - Die-Cast body provide EMI/RFI shielded
- MATERIALS:**
- Housing: Plastic thermoplastic P.B.T UL94V-0 black
 - Contact: Phosphor bronze gold selective plated
 - Bracketshell: Die-Cast Zinc Nickel plated over copper
- ELECTRICAL:**
- Current Rating: 1 Amp
 - Insulation Resistance: 500M Ω /Min
 - Withstanding Voltage: 500V AC/Min
 - Contact Resistance: 35m Ω Max
 - Temperature Range: -55°C ~ +105°C

SERIES PREFIX:
MCD= centronic straight dip solder type

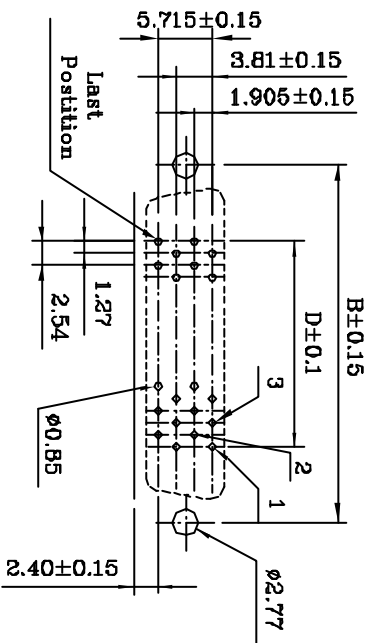
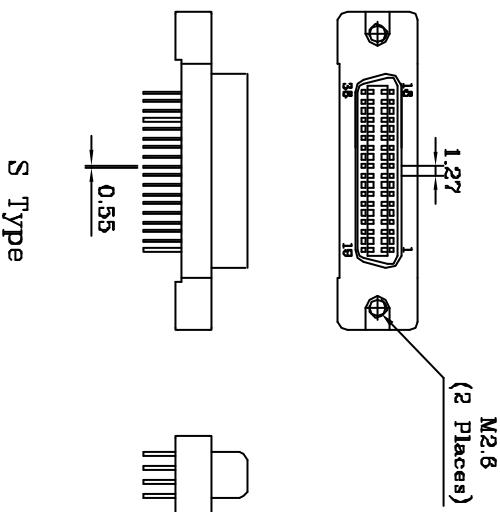
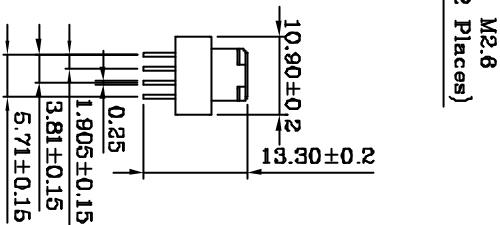
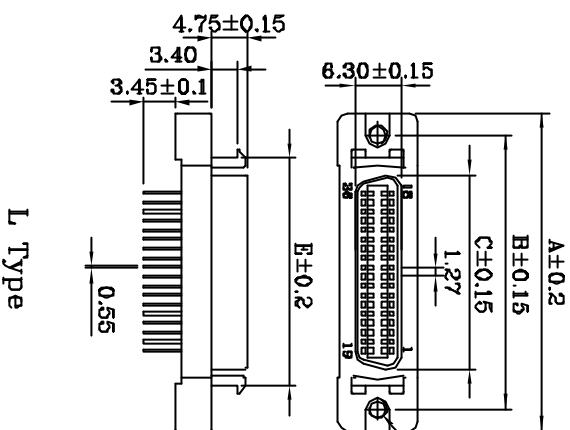
NO.OF CONTACT:
20, 36, 68 pos

CONTACT TYPE:
F=Female


BRACKET FINISHES:
L = latch bracket
S = screw bracket

CONTACT FINISHES:
1 = 5u" gold selective plating
3=15u" gold selective plating
6=30u" gold selective plating

NO OF CONTACTS	A	B	C	D	E
36	43.50	37.60	26.60	21.59	30.99
68	64.00	57.90	46.90	41.91	51.30



PC Board Mounting Dimensions

 WING-TECH ENTERPRISE CO.,LTD.		APPROVED BY:	DATE:
PART NO:	MCDXFLXX	CHECKED BY:	DATE:
DESCRIPTION:	1.27mm(.050") Pitch Centronic Female Connector Straight Dip Solder Type	SCALE:	UNIT:
		X:1	MM
		DRAWN BY:	DRAWING NO:
		25019&M	